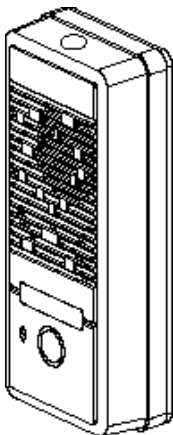


# Entrance Camera

Model No. : DRC-4BP (4CP)

Use And Care Guide



Home Network  
**COMMAX**.in.ua  
[www.commax.in.ua](http://www.commax.in.ua)

## Introduction

### WARNING

To prevent fire or shock hazard, do not expose the unit to rain or moisture.

	<b>CAUTION</b> RISK OF ELECTRIC SHOCK DO NOT OPEN	
<b>CAUTION : TO REDUCE THE RISK OF ELECTRIC SHOCK, DO NOT REMOVE COVER (OR BACK). NO USER-SERVICEABLE PARTS INSIDE. REFER SERVICING TO QUALIFIED SERVICE PERSONNEL.</b>		



This symbol is intended to alert the user to the presence of uninsulated “dangerous voltage” within the product’s enclosure that may be of sufficient magnitude to constitute a risk of electric shock to persons.



This symbol is intended to alert the user to the presence of important operating and maintenance (servicing) instructions in the literature accompanying the unit.


### INFORMATION

This equipment generates and uses radio frequency energy and if not installed and used properly; that is, in strict accordance with the manufacturer’s instructions, may cause interference to radio and television reception. It has been type tested and found to comply with the limitations for a Class B computing device in accordance with the specifications in Subpart J of Part 15 of the FCC Rules, which are designed to provide reasonable protection against such interference in a residential installation. However, there is no guarantee that interference will not occur in a particular installation. If this equipment does cause interference to radio or television reception, which can be determined by turning the equipment off and on, the user is encouraged to try to correct the interference by one or more of the following measures:

- Reorient or relocate the receiving antenna.
- Increase the separation between the equipment and receiver.
- Connect the equipment to an outlet of a circuit different from that to which the receiver is connected.
- Consult the dealer or an experienced radio/TV technician for help.

**TO PREVENT ELECTRIC SHOCK, DO NOT USE THIS POLARIZED AC PLUG WITH AN EXTENSION CORD, RECEPTACLE OR OTHER OUTLET, UNLESS THE BLADES CAN BE FULLY INSERTED TO PREVENT BLADE EXPOSURE.**

## Important Safety Instructions

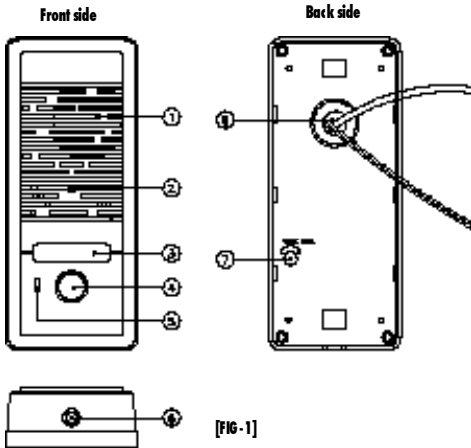
- 1. Read Instructions** - All the safety and operating instructions should be read before the product is operated.
  - 2. Retain Instructions** - The safety and operating instructions should be retained for future reference.
  - 3. Heed Warnings** - All warnings on the product and in the operating instructions should be adhered to.
  - 4. Follow Instructions** - All operating and use instructions should be followed.
  - 5. Cleaning** - Unplug this product from the wall outlet before cleaning. Do not use liquid cleaners or aerosol. Use a damp cloth for cleaning.
  - 6. Attachments** - Do not use attachments not recommended by the product manufacturer, as they may cause hazards.
  - 7. Water and Moisture** - Do not use this product near water - for example, near a bath tub, wash bowl, kitchen sink, laundry tub, in a wet basement, near a swimming pool, and the like.
  - 8. Accessories** - Do not place this product on an unstable cart, stand, tripod bracket, or table. The product may fall, causing serious injury to a child or adult, and serious damage to the product. Use only with a cart, stand, tripod, bracket, or table recommended by the manufacturer, or sold with the product. Any mounting of the product should follow the manufacturer's instructions, and should use a mounting accessory recommended by the manufacturer.
  - 9. A product and cart combination** should be moved with care. Quick stops, excessive force, and uneven surfaces may cause the product and cart combination to overturn.
- 
- 10. Ventilation** - Slots and openings in the cabinet are provided for ventilation and to ensure reliable operation of the product. They protect it from overheating, and these openings must not be blocked or covered. The openings should never be blocked by placing the product on a bed, sofa, rug, or other similar surface. This product should not be placed in a built-in installation such as a bookcase or rack unless proper ventilation is provided, or the manufacturer's instructions have been adhered to.
  - 11. Power Sources** - This product should be operated only from the type of power source indicated on the marking label. If you are not sure of the type of power supply in your home, consult your product dealer or local power company. For products intended for operation from battery power or other sources, refer to the operating instructions.
  - 12. Grounding or Polarization** - This product may be equipped with a polarized alternating-current line plug (a plug having one blade wider than the other). This plug will fit into the power outlet only one way. This is a safety feature. If you are unable to insert the plug fully into the outlet, try reversing the plug. If the plug still cannot be inserted, contact your electrician to replace your obsolete outlet. Do not defeat the safety purpose of the polarized plug.

## Table of Contents

<b>Introduction.....</b>	<b>1</b>
<b>Important Safety Instructions.....</b>	<b>2</b>
<b>Table of Contents.....</b>	<b>3</b>
<b>The Name and function of each part .....</b>	<b>4</b>
<b>Wiring &amp; Installation.....</b>	<b>5</b>
<b>Contents.....</b>	<b>7</b>
<b>Specifications.....</b>	<b>8</b>

**Thank you very much for purchasing the Commax product.  
Please read this user's manual carefully before using it. And, please use it accurately.  
Our company will not be held responsible for any crime prevention and disaster prevention accidents that take place in situations when this product is not in a situation in which it operates normally.**

## The name and function of each part



[FIG-1]

①	<b>Speaker: Transmits sounds from the household.</b>
②	<b>Camera Lens: Protect it from foreign substances.</b>
③	<b>LED Lamp: Turns on at night for better viewing.</b>
④	<b>Page Button: Used to page the household.</b>
⑤	<b>MIC: For use when communicating with the household.</b>
⑥	<b>Mounting Holes</b>
⑦	<b>Volume Adjustment: Used to adjust speaker volume.</b>
⑧	<b>Door Release Cable</b>
⑨	<b>Wiring: Take heed to the polarity and connect to the household monitor. Connect to the door release by referring to the wiring diagram.</b>

## Wiring & Installation

1. Align holes on the wall, where the unit is to be installed, with mounting brackets and secure.

**FIG-1:** Installs the camera at a 30° angle to the left.

(install the bracket in reverse to angle 30° to the right)

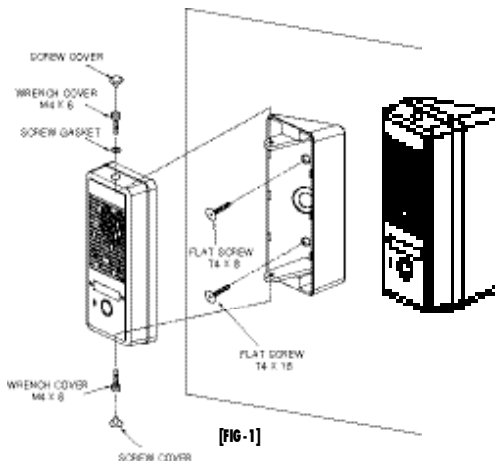
**FIG-2:** Installs the camera at a perpendicular angle to the front.

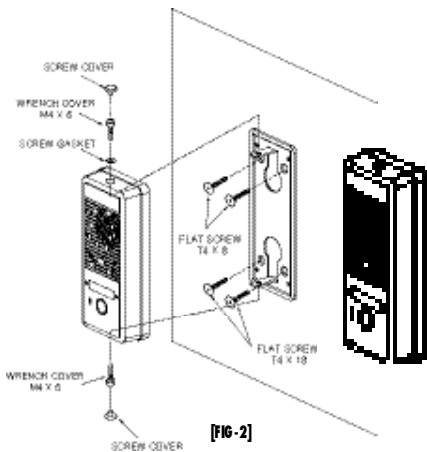
2. Wire the household monitor cables as shown below. Take heed to the polarity of the wiring. [FIG-3]

(#1:RED/VOICE, #2:BLUE/GND, #3:YELLOW/DC 12V, #4:BLACK/VIDEO)

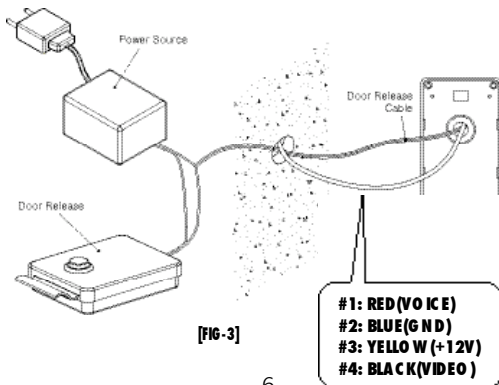
3. Wire the door release cable as shown in the diagram. [FIG-3]

4. Tighten using bolts and a wrench, then cover using the rubber caps.

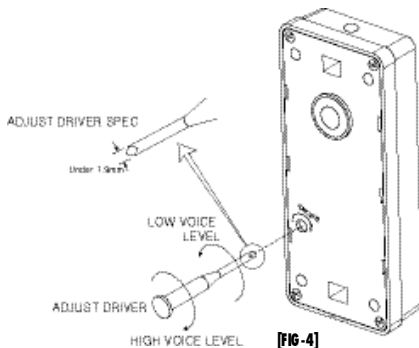




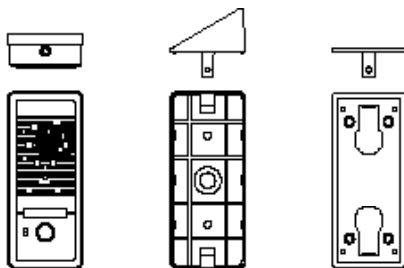
[FIG-2]



[FIG-3]



## Contents





## Specification

specification	Model	DRC-4BP(4CP)
<b>Resolution</b>		<b>270,000 pixel CCD</b>
<b>Rated voltage</b>		<b>DC 12V (supplied from the monitor)</b>
<b>Wiring Method(household)</b>		<b>4-wire polarity</b>
<b>Communication Method</b>		<b>Simultaneous</b>
<b>Effective Viewing Angle</b>		<b>Horizontal : 55°, Vertical : 40°</b>
<b>Angle Adjustment</b>		<b>30° Left 30° Right Center</b>
<b>Horizontal/Vertical Scanning Frequency</b>		<b>15.734 kHz/60Hz, 15.625 kHz/50Hz</b>
<b>Lamp</b>		<b>DRC-4BP : Enclosed infrared LED DRC-4CP : Enclosed white LED (night operation)</b>
<b>Minimum Luminance</b>		<b>0.1 LUX (Up to 30cm in front of the camera)</b>
<b>Ambient Temperature</b>		<b>-10℃ ~ +40℃</b>
<b>External Dimensions(mm)</b>		<b>50.2(W)×118(H)×52(D)mm</b>
<b>Weight(g)</b>		<b>250g (including B/K)</b>

*Home Network*  
**COMMAX<sup>®</sup>**

## **COMMAX Co.,Ltd.**

**513-11, Sangdaewon-dong, Jungwon-gu,**

**Seongnam-si, Gyeonggi-do, Korea**

**Int'l Business Dept :**

**Tel.; +82-31-7393-540 ~ 550**

**Fax.; +82-31-745-2133**

**Web site : [www.commax.co.kr](http://www.commax.co.kr)**